

Water Detection Cable

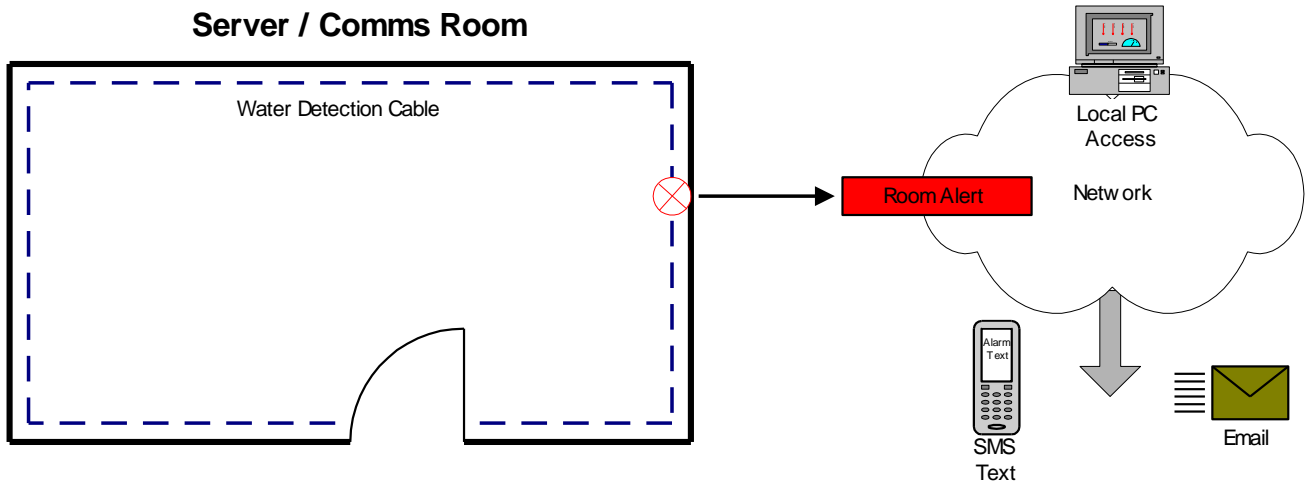


Each sensor with attached sensor cable is activated by liquid (i.e. water, fluid, etc.) making contact with the attached Water Detection Cable. The Water Detection Cable can detect as little water as a single drop. Once liquid is detected the Sensor triggers an alarm condition allowing the Room Alert hardware, PageR Enterprise software and/or other monitoring application to send out alerts and/or take automatic corrective action.

This is an instant 'Plug & Play' sensor via one of the switch sensor channels on the back of any compatible Room Alert ID box. The Water Detection Cable can be extended by adding one or more 2.5m Water Detection Cable Extensions.

Typical Solution Features & Specification

- Real-time water detection.
- 2.5m or 7m Water Detection Cable.
- Detection cable can be extended by 2.5m lengths.
- Alert triggered when water detected or power lost.
- Compatible with Room Alert 32W, 32E, 26W, 26WO, 24E, 11E, 7E & 4E.



Prices

2.5m Cable	£164.00	(Room Alert not included)
7m Cable	£248.00	(Room Alert not included)
2.5m Extension	£73.00	(Room Alert not included)

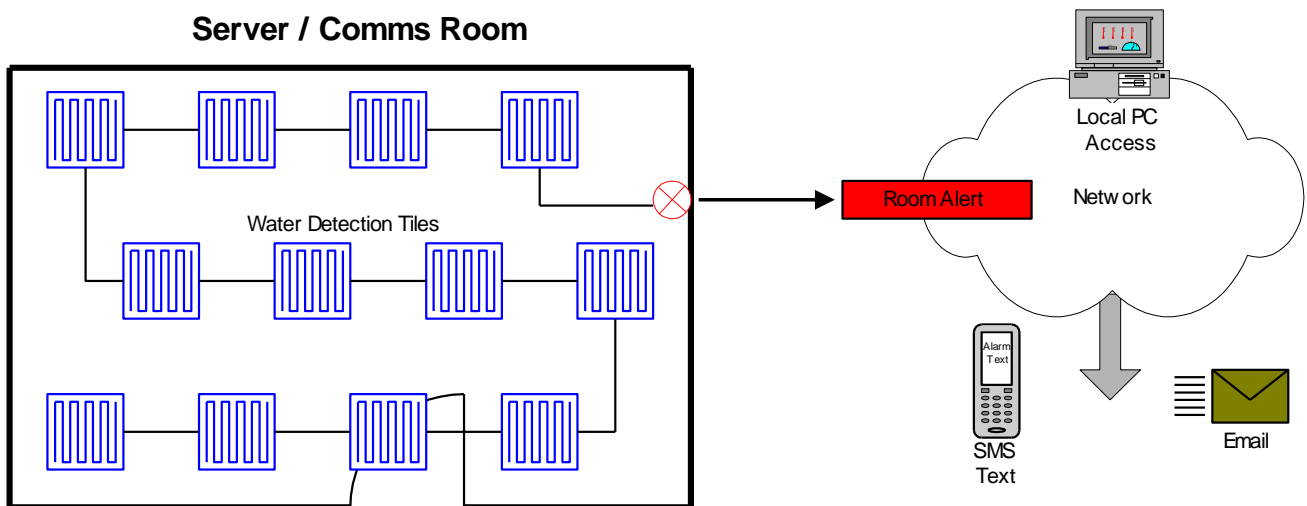
Water Detection Tiles



The **Halotile** pad sits on top of the existing suspended ceiling tile. It is made of thin, light-weight, closed cell foam that allows for easy installation and maximum coverage. The pad has a small control box and a dual RJ-11 port that connects adjoining tiles. The **Halotile** system provides complete ceiling water detection.

The Halotiles are designed to fit a standard 600mm x 600mm ceiling tile. When one or more tiles detect water a signal is sent to the IMS 500 or IMS 2000 controller which sounds an alarm and /or displays information regarding the location of the leak. The system can be interfaced with Room Alert hardware to send out alerts by Email, SMS Text Message or SNMP for integration with other monitoring software.

Typical Solution



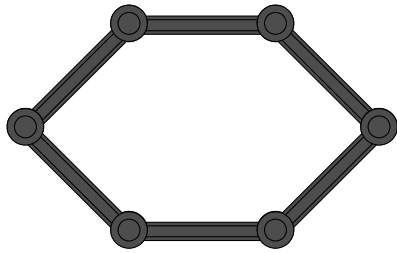
Features & Specification

- Durable yet flexible tile that can be cut or overlapped to fit desired area.
- Lightweight anti-fungal design. Each tile weighs less than 285g.
- Quick and easy connections between tiles.
- Monitoring on a per tile basis.
- Designed to prevent false alarms.
- Monitors and reports temperature changes above the suspended ceiling.

Prices

Halotile (inc. Clip & Cable)	£80.13
Halotile (10 Pack) (inc. Clip & Cable)	£792.47
Controller IMS 500 (up to 25 Tiles)	£521.71
Controller IMS 2000 (up to 200 Tiles, with individual tile detection)	£2155.65

Water Detection Aquapedes

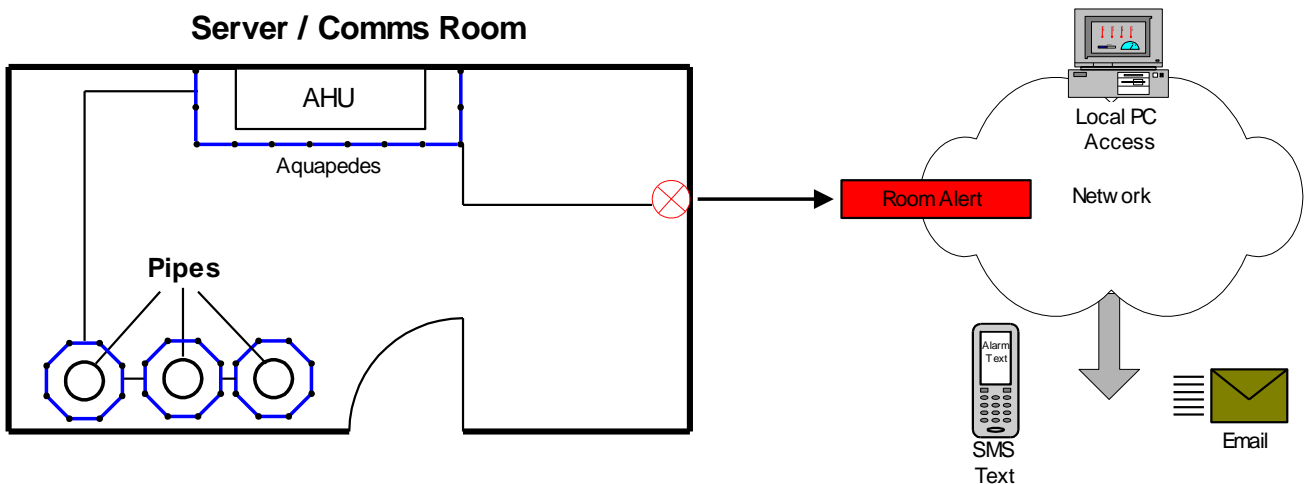


A “snap together” low profile water sensing technology that allows the user to shape the product to its environment. The **Aquapede** is made of a very durable plastic with two parallel floating blades. This feature allows the unit to adjust to uneven floors and maintain its full monitoring capabilities.

Aquapedes work as stand alone or snap together units to monitor large areas and to fit unique environments. Once the desired shape and length have been acquired, simply connect the wiring harness at each joint and connect the last blade to the monitoring system.

When 4 or more Aquapede blades are joined together they form an "Aquapede Pod." When one or more pods detect water a signal is sent to the IMS 500 or IMS 2000 controller which sounds an alarm and /or displays information regarding the location of the leak. The system can be interfaced with Room Alert hardware to send out alerts by Email, SMS Text Message or SNMP for integration with other monitoring software.

Typical Solution



Features & Specification

- Flexible "snap together" technology to best fit areas
- Lightweight and durable design
- Quick and easy assembly
- Very low profile
- Extremely cost effective

Prices

8 x Aquapedes (inc. Pod & Cable)	£173.32
8 x Aquapedes	£160.26
Controller IMS 500 (up to 25 Aquapede Pods)	£521.71
Controller IMS 2000 (up to 50 Aquapede Pods + 200 Tiles)	£2155.65

Call BTI on **01527 598500**, email sales@bticomputer.com or go to www.bticomputer.com